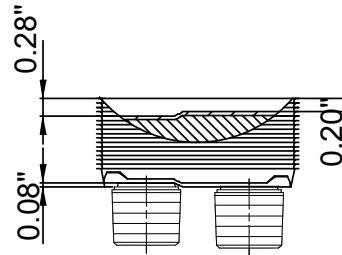
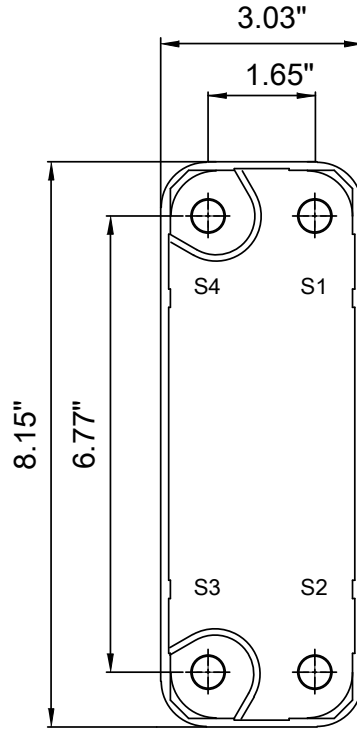
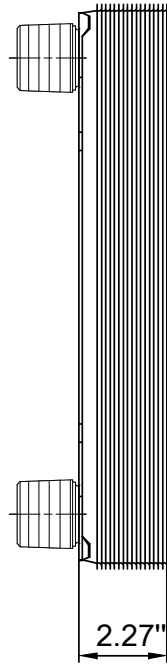
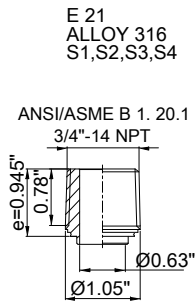


Note that all unique customer requirements (i.e tolerance) need to be verified thru Alfa Laval.



Frameplate is depressed 0.08 inches at connection S3/S4
 Pressureplate is depressed 0.08 inches / even number of channel plates
 at connections T3/T4 / uneven number of channel plates at
 connections T1/T2.

HEATING SURFACE ft²
 NETWEIGHT 4.1 lb
 OPERATING WEIGHT lb
 PLATE MATERIAL ALLOY 316
 PLATE GROUPING 1*9H/1*10H

ALL DIMENSIONS IN INCHES

SIDE	MEDIA	INLET	TEMP.	OUTLET	TEMP.	FLOW RATE	PRESSURE DROP	LIQUID VOL.
1	Water	S1	°F	S2	°F	lb/h	psi	0.01 ft ³
2	Water	S3	°F	S4	°F	lb/h	psi	0.01 ft ³

PRESSURE VESSEL APPROVAL

PED/CRN

AlfaNova 14-20H (3287050861)

www.alfalaval.com

CUSTOMER NAME / REF. NO.

TOTAL LENGTH 3.2 in
 TOTAL WIDTH 3.0 in
 TOTAL HEIGHT 8.1 in

COMPANY / REF.
 Alfa Laval Nordic AB
 Alfa Laval Inc.

8/25/2021
 REV 0